



# AGAVE WIRE

Toll-Free: (800) 690-3408

An ISO 9001 Certified Quality Management System

Email: sales@AgaveWire.com

## PRODUCT DATA SHEET

### PRODUCT OVERVIEW:

### **BT-3/16SS**

CONSTRUCTION: 3/16" (or 6AWG) Stranded Stainless Steel HMW-HDPE 45MIL

APPROVALS: Directional Drilling Tracer Wire

APPLICATION: Tracer Wire Suitable For Pipe Bursting/Horizontal

### CONSTRUCTION PARAMETERS:

CONDUCTOR: 6AWG Annealed 304 Stainless Steel

STRANDING: 49 Strand (7x7) 304 SS Alloy

NUMBER OF CONDUCTORS: 1

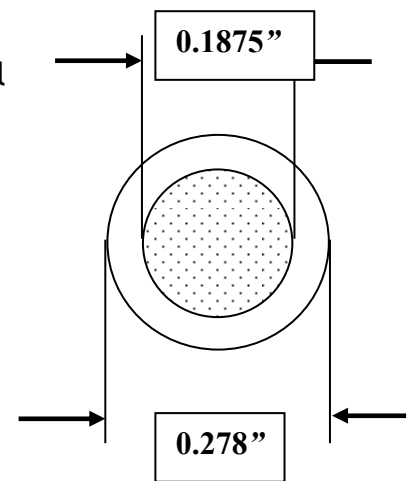
INSULATION MATERIAL: HMW-HDPE (High Molecular Weight)

INSULATION THICKNESS: 0.045" Nominal

STAINLESS STEEL O.D.: 0.1875" Nominal

FINISHED O.D.: 0.2775" Nominal

WEIGHT PER 1000ft: 78- lbs./1000'



### ADDITIONAL PROPERTIES:

OPERATING VOLTAGE: 600v

BREAK LOAD: 3700 Lbs. MIN Break Load

INSULATION COLOR: Various Colors Available



### PRINT LEGEND:

“AGAVE WIRE TRACER WIRE SS HMW-HDPE 45 MIL 600V DIRECT BURIAL”

On special orders, the customer will accept all mil lengths and +/- 10% of total order requested. The information presented here is, to the best of our knowledge, is true and accurate. However, since conditions of use are beyond our control, all recommendations or suggestions are presented without guarantee or responsibility on our part. We disclaim all liability in connection with the use of information contained herein or otherwise. This specification is proprietary intellectual property of Agave Wire. Any information contained herein shall not be disclosed to any party without written consent of Agave Wire.

Manufactured in the U.S.A.